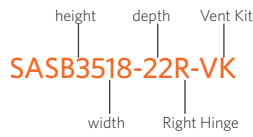


# BASE CABINETS — CORROSIVE

Corrosives storage cabinets are reinforced steel with a hi-tech performance polymer alloy coating, which provides 100% coverage against corrosion. Cabinets are available in 18" and 22" depths.

Optional vent hole placements on left or right side

Example:



## CORROSIVES STORAGE CABINETS



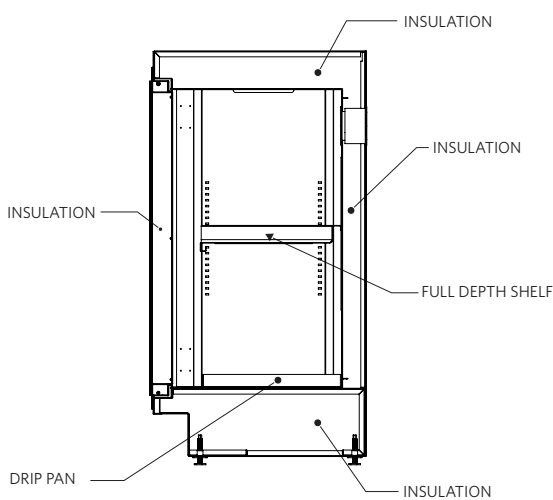
SASB3524-18



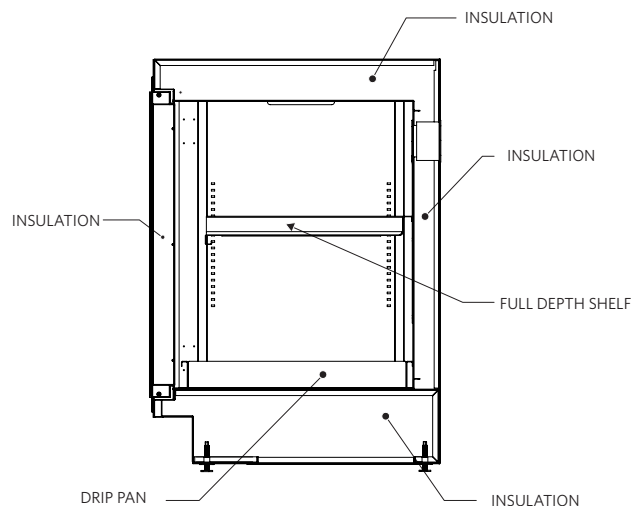
SASB3530-18

Width	Sitting Height	ADA Height	Standing Height
18"	SASB2918-18	SASB3218-18	SASB3518-18
24"	SASB2924-18	SASB3224-18	SASB3524-18
30"	SASB2930-18	SASB3230-18	SASB3530-18
36"	SASB2936-18	SASB3236-18	SASB3536-18
42"	SASB2942-18	SASB3242-18	SASB3542-18
48"	SASB2948-18	SASB3248-18	SASB3548-18

Width	Sitting Height	ADA Height	Standing Height
18"	SASB2918-22	SASB3218-22	SASB3518-22
24"	SASB2924-22	SASB3224-22	SASB3524-22
30"	SASB2930-22	SASB3230-22	SASB3530-22
36"	SASB2936-22	SASB3236-22	SASB3536-22
42"	SASB2942-22	SASB3242-22	SASB3542-22
48"	SASB2948-22	SASB3248-22	SASB3548-22



18-3/8" ACTUAL DEPTH



22 3/8" ACTUAL DEPTH

# BASE CABINETS — CORROSIVE

Corrosives storage cabinets are reinforced steel with a hi-tech performance polymer alloy coating, which provides 100% coverage against corrosion. Cabinets are available in 18" and 22" depths.

Example:

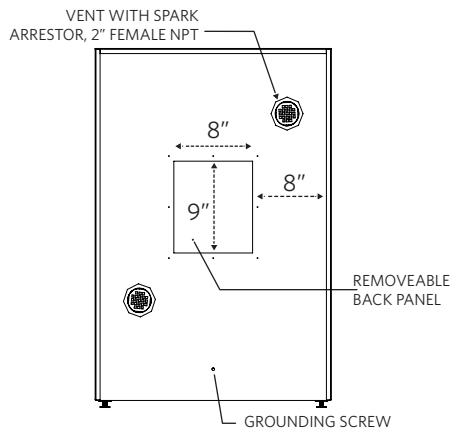
height
depth
Vent Kit  
SASB3518-22R-VK  
width
Right Hinge

Optional vent hole placements on left or right side

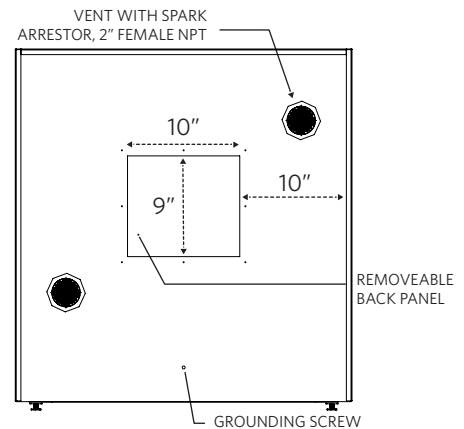


## CORROSIVES STORAGE CABINETS

### 24" Wide (1 DOOR)



### 30" Wide (2 DOOR)



SASBM2930-22

**CAUTION BASES/CORROSIVE      CAUTION ACIDS/CORROSIVE**

**CORROSIVE CAUTION!**

Mobile cabinets are available. Please contact your AMS representative.

Width	Sitting Height	ADA Height	Standing Height
18"	SASBM2918-18	SASBM3218-18	SASBM3518-18
24"	SASBM2924-18	SASBM3224-18	SASBM3524-18
30"	SASBM2930-18	SASBM3230-18	SASBM3530-18
36"	SASBM2936-18	SASBM3236-18	SASBM3536-18
42"	SASBM2942-18	SASBM3242-18	SASBM3542-18
48"	SASBM2948-18	SASBM3248-18	SASBM3548-18

Width	Sitting Height	ADA Height	Standing Height
18"	SASBM2918-22	SASBM3218-22	SASBM3518-22
24"	SASBM2924-22	SASBM3224-22	SASBM3524-22
30"	SASBM2930-22	SASBM3230-22	SASBM3530-22
36"	SASBM2936-22	SASBM3236-22	SASBM3536-22
42"	SASBM2942-22	SASBM3242-22	SASBM3542-22
48"	SASBM2948-22	SASBM3248-22	SASBM3548-22

When ordering 18" or 24" wide cabinets please place suffix "L" left or "R" right, after the part number for the hinge placement.

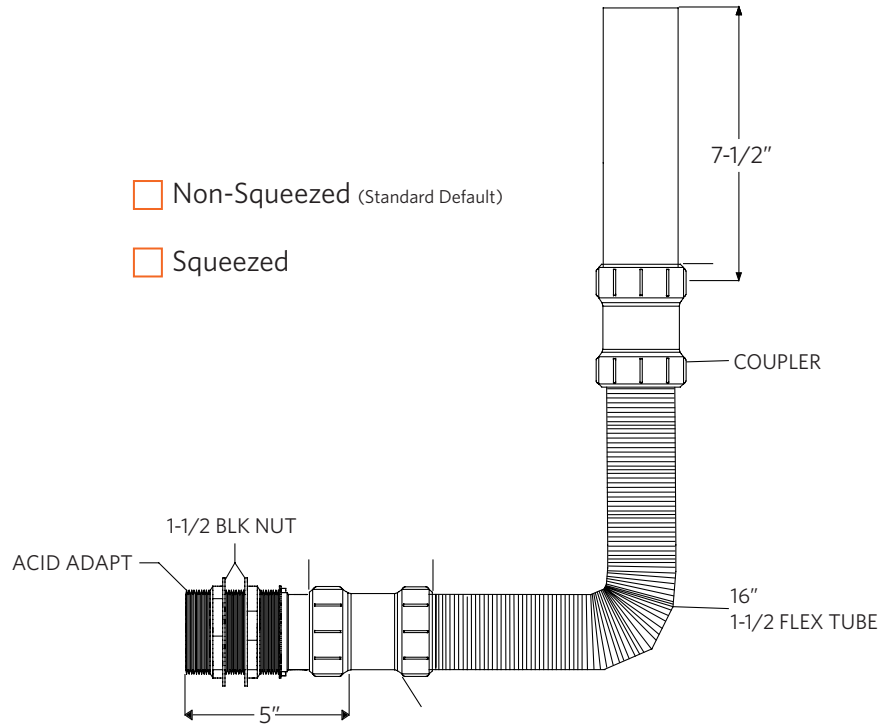
If a Vent Kit is required, use the suffix "VK".

**Note:** AMS recommends vent kits for all corrosives cabinets. Acids and bases should not be stored in the same cabinet.

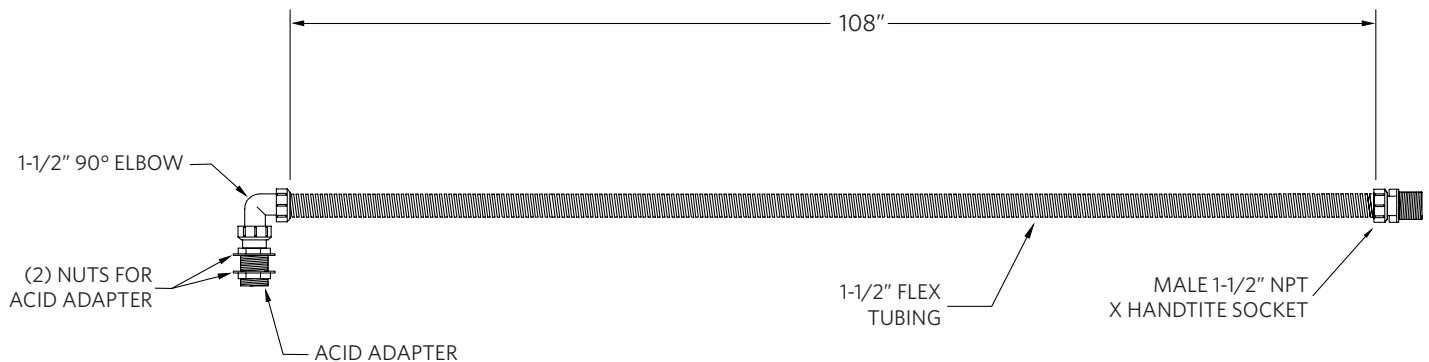
# CORROSIVE - VENT KIT

Vent systems shall be manufactured from polyolefin resin and shall conform to ASTM #1412-92 for corrosion resistance and material content. The vent system will contain no PVC or solvents used for assembly. Vent may be constructed using rigid or flexible pipe as required. Vents will be manufactured by Scientific Plastics, Inc. of Kansas City, KS, USA.

## 403100-VENT KIT



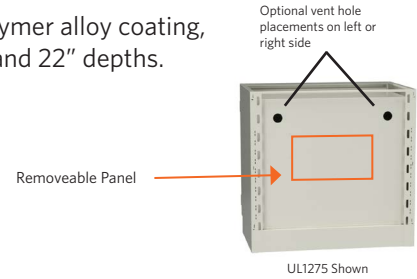
## 403100-VENT KIT-L



# BASE CABINETS — FLAMMABLES

Flammable storage cabinets are reinforced steel with a hi-tech performance polymer alloy coating, which provides 100% coverage against corrosion. Cabinets are available in 18" and 22" depths. All cabinets have 3 point locking systems.

Example:



## FLAMMABLES STORAGE CABINETS



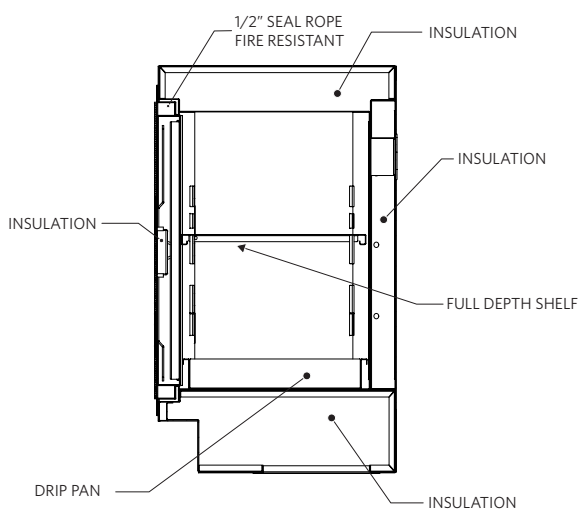
SFSB2924-18



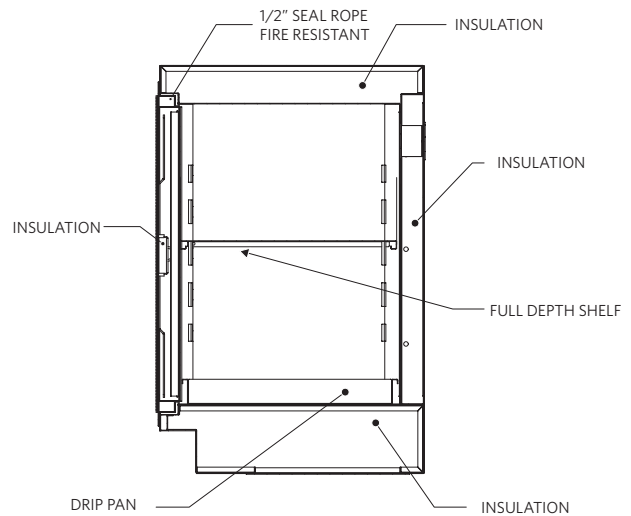
SFSB2930-18

Width	Sitting Height	ADA Height	Standing Height
24"	SFSB2924-18	SFSB3224-18	SFSB3524-18
30"	SFSB2930-18	SFSB3230-18	SFSB3530-18
36"	SFSB2936-18	SFSB3236-18	SFSB3536-18
42"	SFSB2942-18	SFSB3242-18	SFSB3542-18
48"	SFSB2948-18	SFSB3248-18	SFSB3548-18

Width	Sitting Height	ADA Height	Standing Height
24"	SFSB2924-22	SFSB3224-22	SFSB3524-22
30"	SFSB2930-22	SFSB3230-22	SFSB3530-22
36"	SFSB2936-22	SFSB3236-22	SFSB3536-22
42"	SFSB2942-22	SFSB3242-22	SFSB3542-22
48"	SFSB2948-22	SFSB3248-22	SFSB3548-22



18-3/8" ACTUAL DEPTH

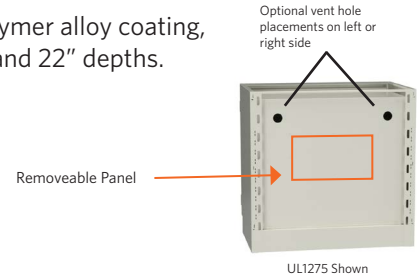


22-3/8" ACTUAL DEPTH

# BASE CABINETS — FLAMMABLES

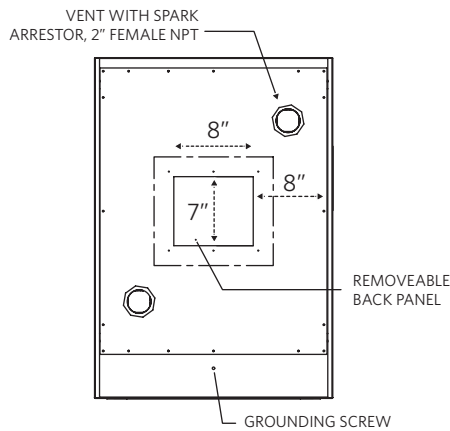
Flammable storage cabinets are reinforced steel with a hi-tech performance polymer alloy coating, which provides 100% coverage against corrosion. Cabinets are available in 18" and 22" depths. All cabinets have 3 point locking systems.

Example:

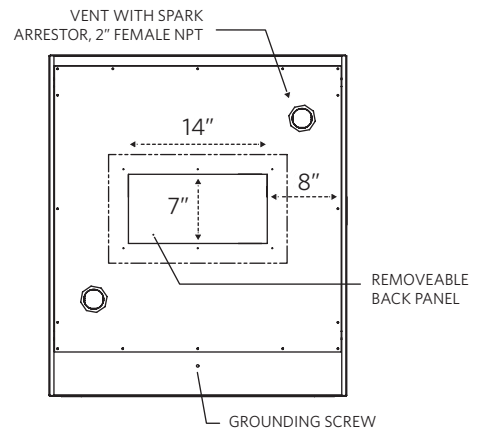


## FLAMMABLES STORAGE CABINETS

### 24" Wide (1 DOOR)



### 30" Wide (2 DOOR)



SFSBM3530-18

**FLAMMABLE**  
**KEEP FIRE AWAY!**

**HAZARDOUS**  
**KEEP FIRE AWAY!**

Mobile cabinets are available. Please contact your AMS representative.

Width	Sitting Height	ADA Height	Standing Height
24"	SFSBM2924-18	SFSBM3224-18	SFSBM3524-18
30"	SFSBM2930-18	SFSBM3230-18	SFSBM3530-18
36"	SFSBM2936-18	SFSBM3236-18	SFSBM3536-18
42"	SFSBM2942-18	SFSBM3242-18	SFSBM3542-18
48"	SFSBM2948-18	SFSBM3248-18	SFSBM3548-18

Width	Sitting Height	ADA Height	Standing Height
24"	SFSBM2924-22	SFSBM3224-22	SFSBM3524-22
30"	SFSBM2930-22	SFSBM3230-22	SFSBM3530-22
36"	SFSBM2936-22	SFSBM3236-22	SFSBM3536-22
42"	SFSBM2942-22	SFSBM3242-22	SFSBM3542-22
48"	SFSBM2948-22	SFSBM3248-22	SFSBM3548-22

Flammables storage cabinets are certified to meet NFPA 45 and are UL listed. Cabinets are available in 18" and 22" depths. For 22" depth, add suffix "-22" to the part number. For synchronized self-closing doors add "-SCC" to the part number.

\*Cabinets with self-closing doors cannot meet UL1275 requirements.