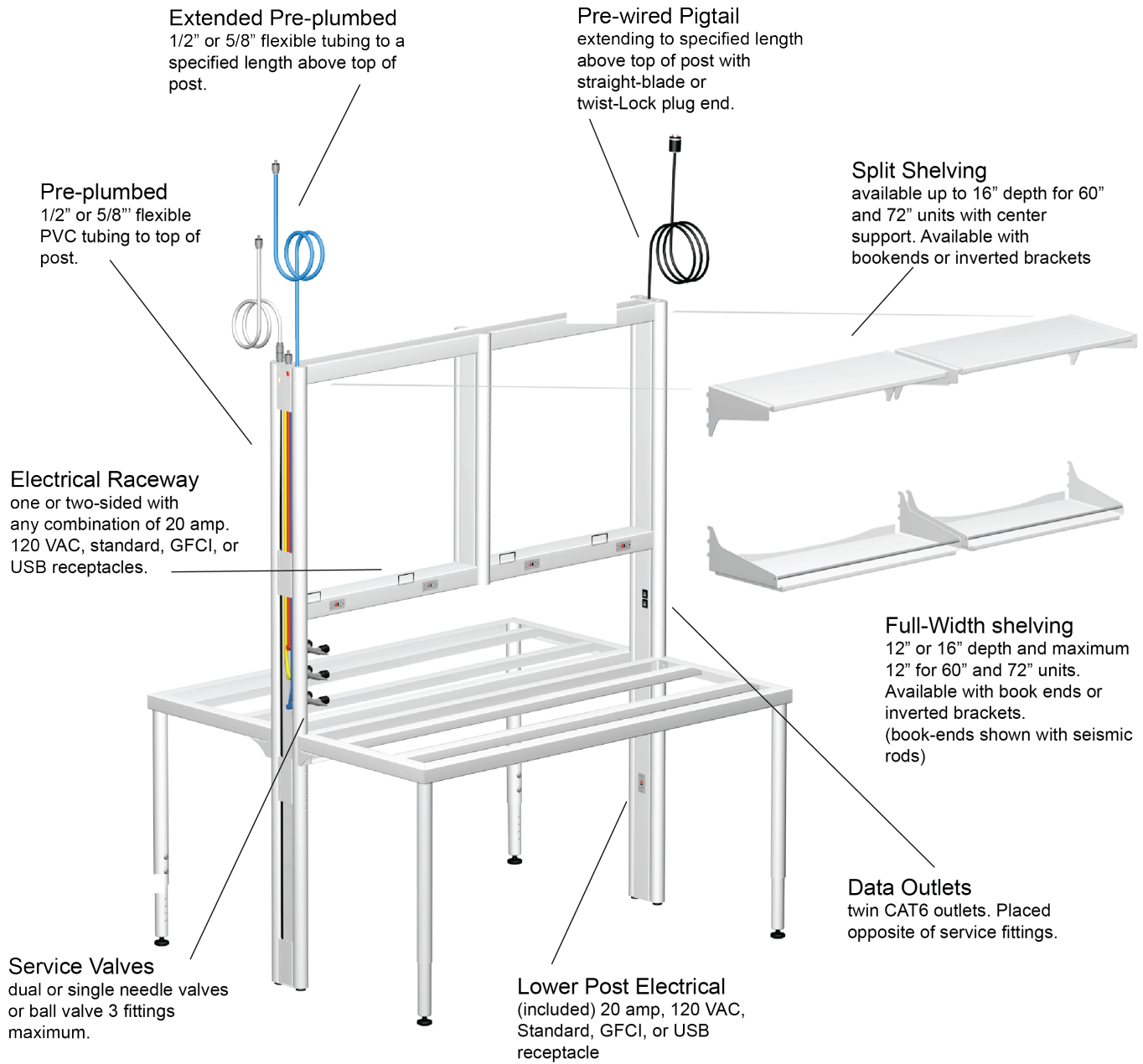


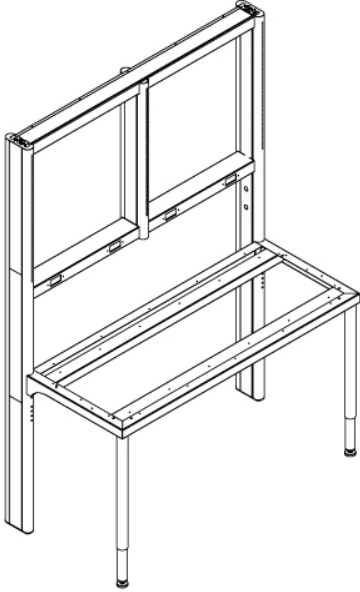
Solution Series Flexible Furniture Systems

product catalog





Gemini System

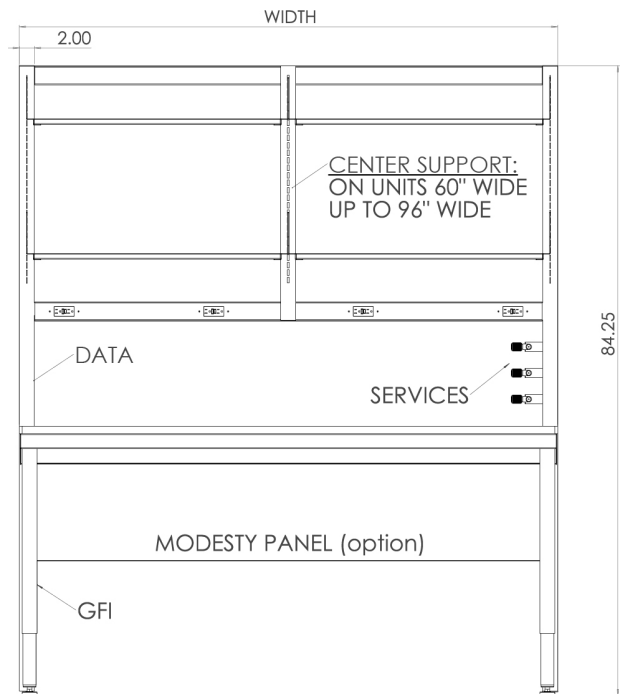
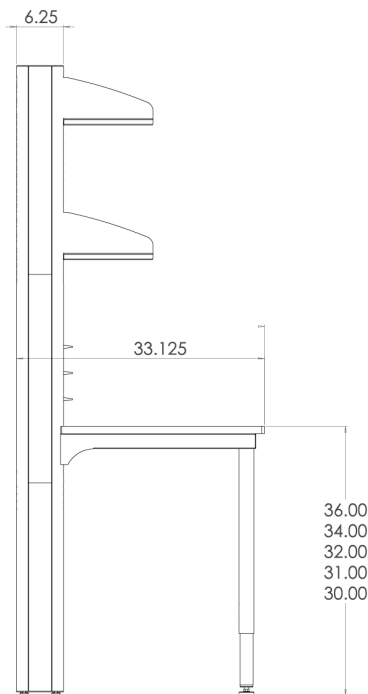


Gemini Single Sided Bench: Units are equipped to accept hanging base cabinets.

Selection Process: Units can be ordered in a multitude of configurations. You will find “_P_D_E” next to the part numbers. These represent “P” Plumbed services, “D” Data ports, “E” Electrical receipts. Please choose the total amount of each you would like and enter that number into the correct space. For example 0 plumbed, 1 data, 2 electric: GS1-4830-0P1D2E

Note: Maximum units allowed per services 3 Plumbed, 2 Data, Electrical based on width: 36”, 42”, 48” (4 GFI’s) 60”, 72” 84” (5 GFI’s) 96” (6 GFI’s)

Gemini Series Bench	
Unit Width	
36"	GS1-3630-_P_D_E
42"	GS1-4230-_P_D_E
48"	GS1-4830-_P_D_E
60"	GS1-6030-_P_D_E
72"	GS1-7230-_P_D_E
84"	GS1-8430-_P_D_E
96"	GS1-9630-_P_D_E



GS1: Gemini Single Sided Bench Tops, One Table



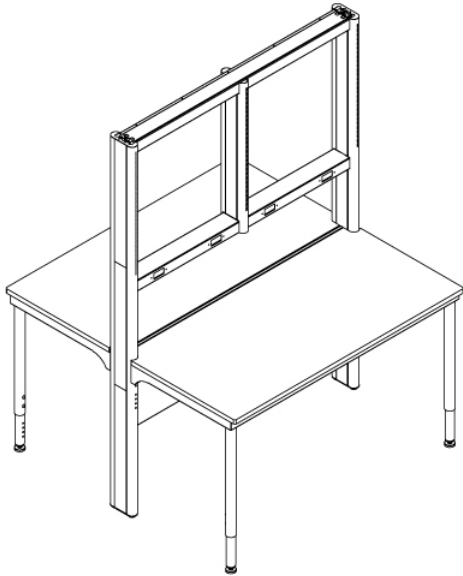
GS1 Deep to Rear Post



GS1 With Modesty Panel

	Gemini Single Sided Standard Phenolic Top	Gemini Single Sided Standard Epoxy Top
36"	GS1-TOP3036-P	GS1-TOP3036-E
42"	GS1-TOP3042-P	GS1-TOP3042-E
48"	GS1-TOP3048-P	GS1-TOP3048-E
60"	GS1-TOP3060-P	GS1-TOP3060-E
72"	GS1-TOP3072-P	GS1-TOP3072-E
84"	GS1-TOP3084-P	GS1-TOP3084-E
96"	GS1-TOP3096-P	GS1-TOP3096-E

	Gemini Single Sided Modesty Phenolic Top	Gemini Single Sided Modesty Epoxy Top
36"	GS-TOP3036M-P	GS-TOP3036M-E
42"	GS-TOP3042M-P	GS-TOP3042M-E
48"	GS-TOP3048M-P	GS-TOP3048M-E
60"	GS-TOP3060M-P	GS-TOP3060M-E
72"	GS-TOP3072M-P	GS-TOP3072M-E
84"	GS-TOP3084M-P	GS-TOP3084M-E
96"	GS-TOP3096M-P	GS-TOP3096M-E

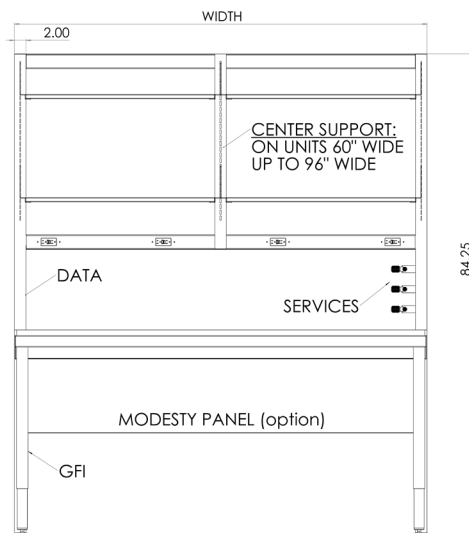
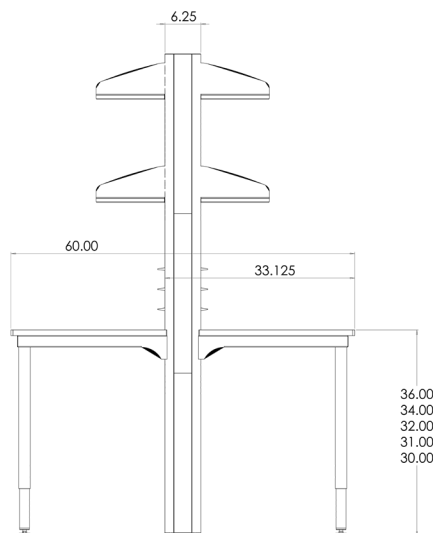


Gemini Double Sided Bench: Double sided units are equipped to accept hanging base cabinets by selecting the HBC option.

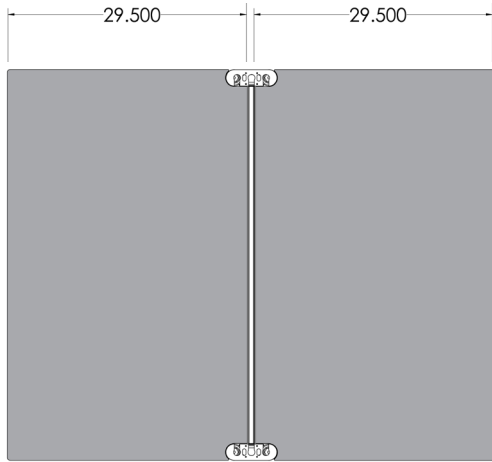
Selection Process: Units can be ordered in a multitude of configurations. You will find “_P_D_E” next to the part numbers. These represent “P” Plumbed services, “D” Data ports, “E” Electrical receipts. Please choose the total amount of each you would like and enter that number into the correct space. For example 0 plumbed, 1 data, 2 electric: GS2-4830-0P1D2E

Note: Maximum units allowed per services 3 Plumbed, 2 Data, Electrical based on width: 36”, 42”, 48” (4 GFI’s) 60”, 72” 84”(5 GFI’s) 96” (6 GFI’s)

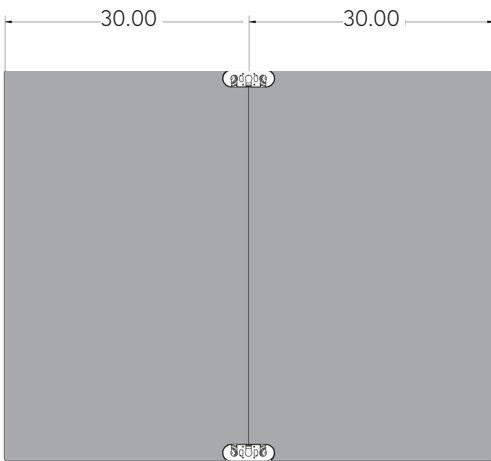
Unit Width	Gemini Series Bench	Gemini Series Bench with HBC (Table Bench Allows for Hanging Base Cabinets)
36"	GS2-3630-_P_D_E	GS2-3630-_P_D_E-HBC
42"	GS2-4230-_P_D_E	GS2-4230-_P_D_E-HBC
48"	GS2-4830-_P_D_E	GS2-4830-_P_D_E-HBC
60"	GS2-6030-_P_D_E	GS2-6030-_P_D_E-HBC
72"	GS2-7230-_P_D_E	GS2-7230-_P_D_E-HBC
84"	GS2-8430-_P_D_E	GS2-8430-_P_D_E-HBC
96"	GS2-9630-_P_D_E	GS2-9630-_P_D_E-HBC



GS2: Gemini Double Sided Bench Tops, Two Tables Tops are needed for one unit.



GS2 With Modesty Panel

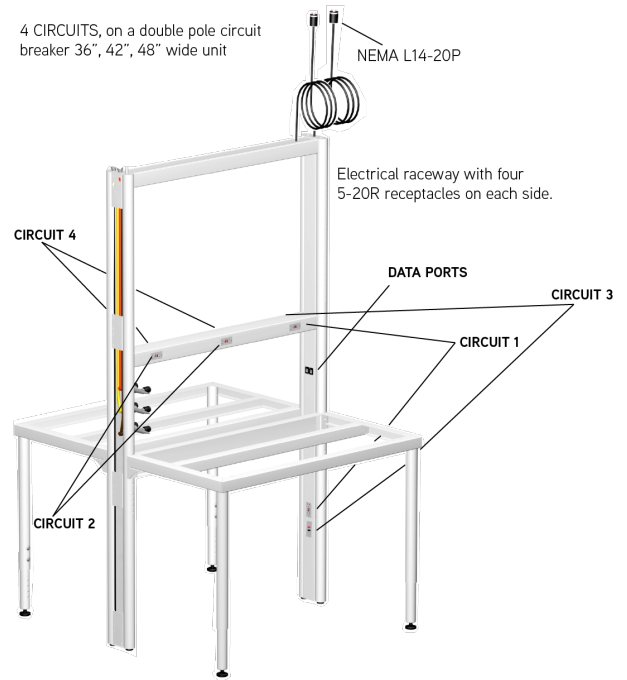
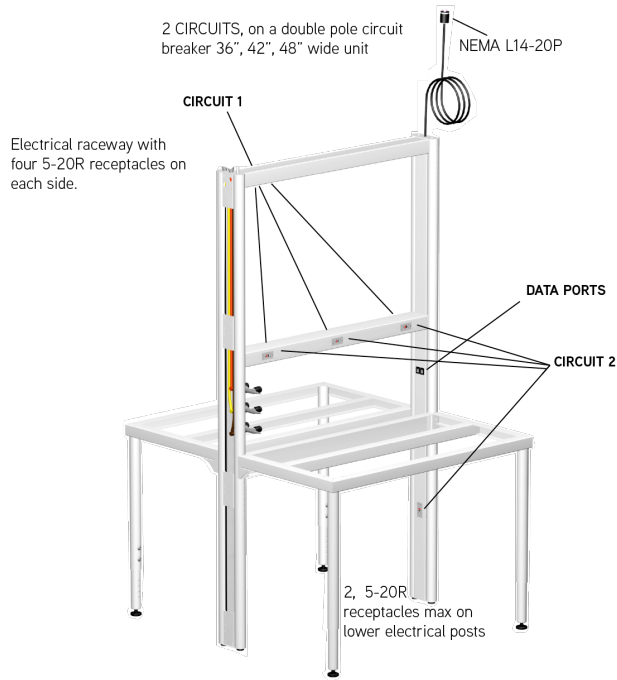


GS2 Without Modesty Panel
(counter tops meet back-to-back)

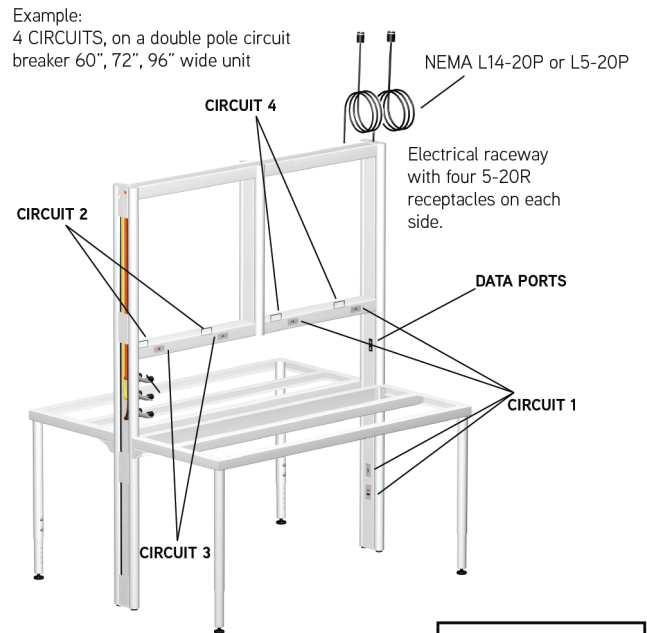
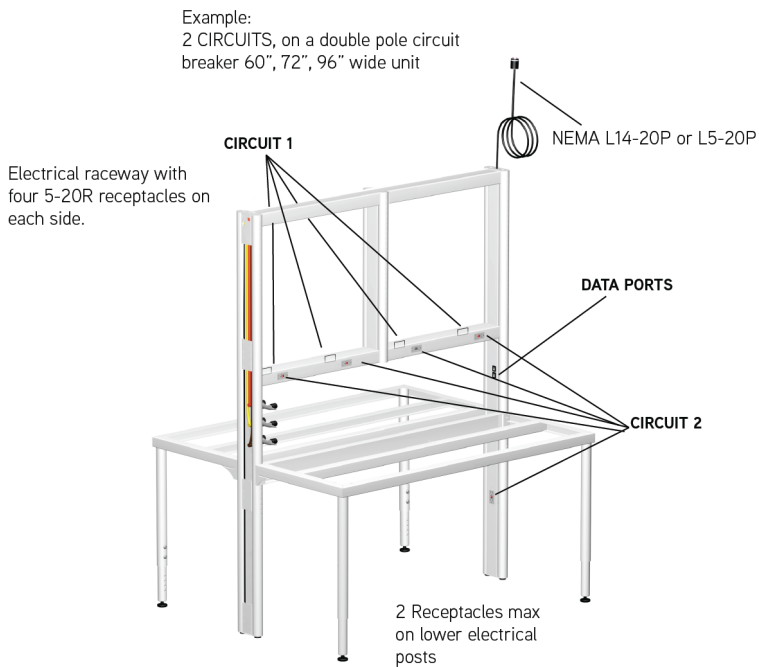
Gemini Double Sided Modesty Phenolic Top		Gemini Double Sided Modesty Epoxy Top
36"	GS-TOP3036M-P	GS-TOP3036M-E
42"	GS-TOP3042M-P	GS-TOP3042M-E
48"	GS-TOP3048M-P	GS-TOP3048M-E
60"	GS-TOP3060M-P	GS-TOP3060M-E
72"	GS-TOP3072M-P	GS-TOP3072M-E
84"	GS-TOP3084M-P	GS-TOP3084M-E
96"	GS-TOP3096M-P	GS-TOP3096M-E

Gemini Double Sided Standard Phenolic Top		Gemini Double Sided Standard Epoxy Top
36"	GS2-TOP3036B-P	GS2-TOP3036B-E
42"	GS2-TOP3042B-P	GS2-TOP3042B-E
48"	GS2-TOP3048B-P	GS2-TOP3048B-E
60"	GS2-TOP3060B-P	GS2-TOP3060B-E
72"	GS2-TOP3072B-P	GS2-TOP3072B-E
84"	GS2-TOP3084B-P	GS2-TOP3084B-E
96"	GS2-TOP3096B-P	GS2-TOP3096B-E

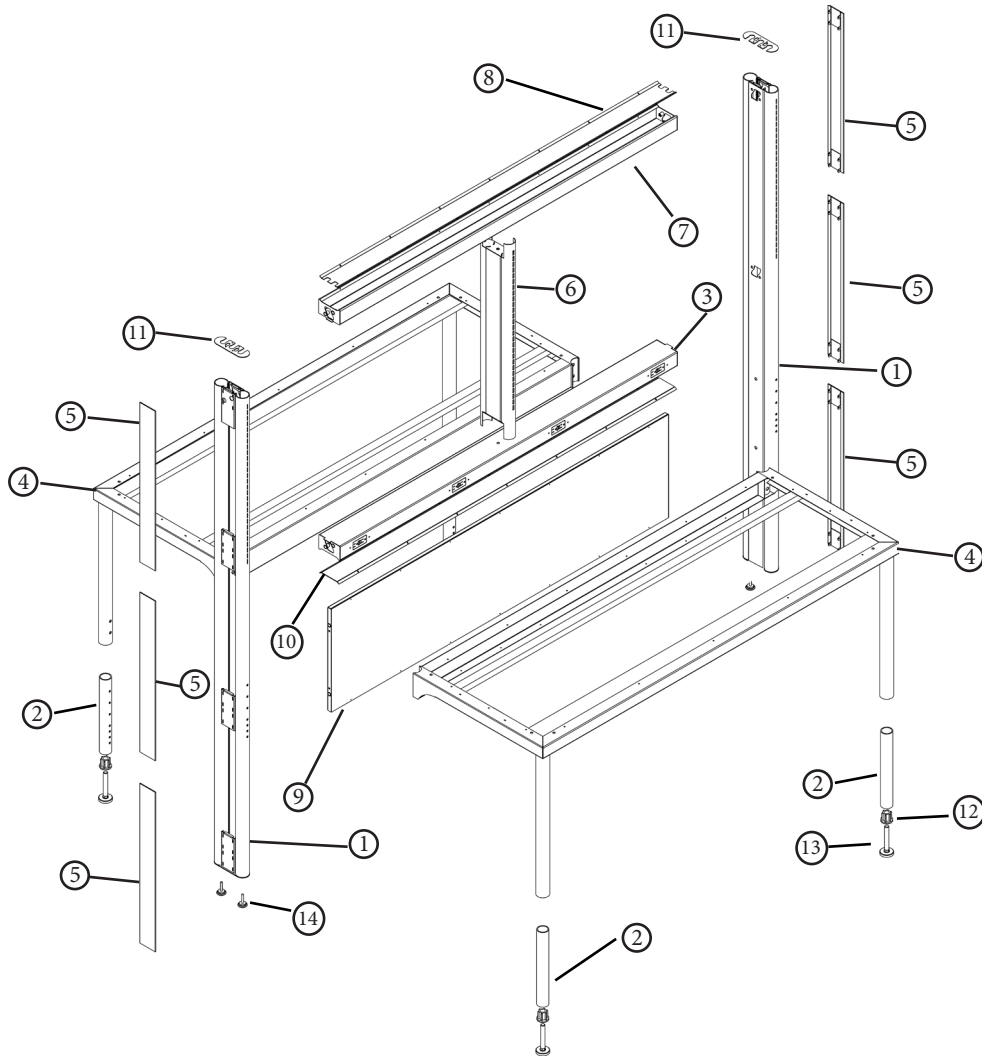
SOLUTION™ SERIES



(Gemini Systems 60", 72", 96" wide can hold additional receptacles)



NOTE: Units can also be configured with L5-20P plugs. This plug is for one dedicated circuit with one plug.

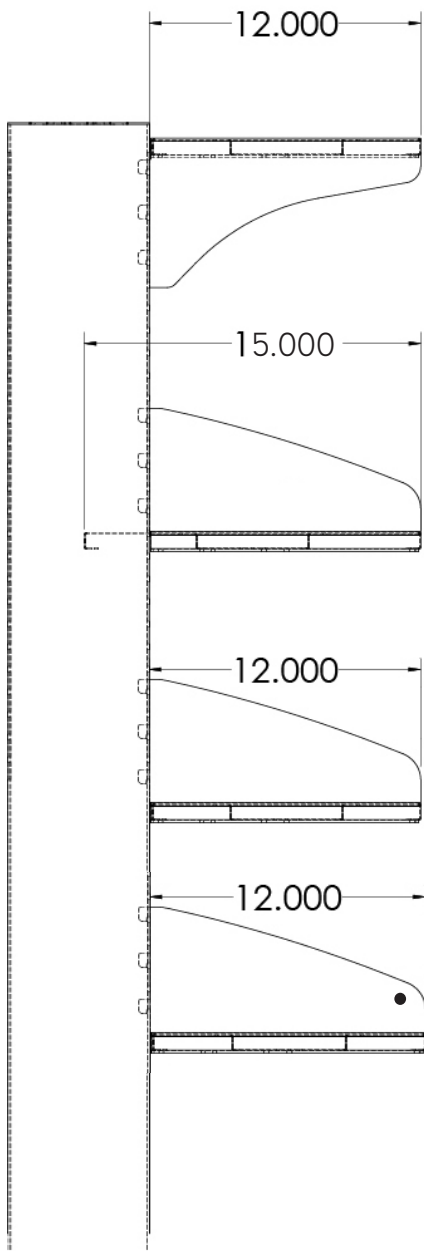


Item NO.	Part Number	Description	Quantity
1	GS2post84-MP	Post Upright	2
2	GSRT175FL	Lower Adjustable Leg	4
3	GSLRW72-8E	Lower Raceway	1
4	GS3072TS-N	Table Support	2
5	GSOP	Outer Panel	6
6	GSIS34	Intermediate Support	1
7	GSURW72	Upper Raceway	1
8	GSRAPC72	Raceway Access Panel Upper	1
9	GSMP-72	Modesty Panel	1
10	GSRAP72	Raceway Access Panel Lower	1
11	TOP-PLATE	Top Plate	2
12	58INSERT175RT	Tube Insert 1.75"	4
13	58GLIDER	Adjustable Foot 5/8"	4
14	38GLIDER	Adjustable Foot 3/8"	4

Gemini Bench Systems:
Shelving options

Shelf kits come in a variety of sizes and shape. The depths vary based on your specific needs and requirements.

The shelf brackets come in multiple configurations. These all have adjustable heights in 1" increments.



Inverted Shelf Bracket

Shelf Depths: 12, 14, 16, 18 inches

Extended Bookend Shelf Bracket

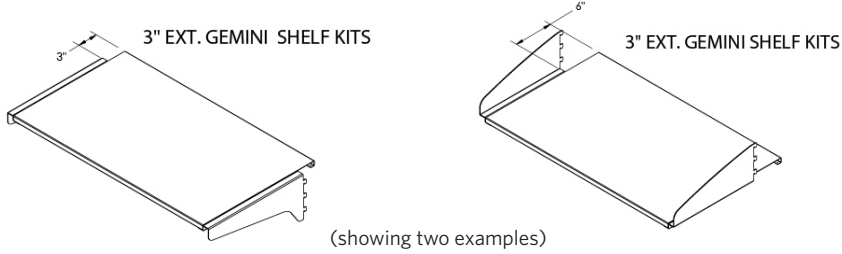
3" EXT Shelf Depths: 15, 17, 19, 21

Bookend Shelf Bracket

Shelf Depths: 12, 14, 16, 18 inches

Seismic Rod Shelf Bracket

Shelf Depths: 12, 14, 16, 18 inches



3" EXT. Gemini Shelf Kits: Shelf kits have an extended depth of 3" on the back edge to fill the space in the center of the Gemini units.

12" Bracket

Unit Width	Bookend	Inverted	Seismic Rod
*29	GSK-1529-12B	GSK-1529-12U	GSK-1529-12SR
34	GSK-1534-12B	GSK-1534-12U	GSK-1534-12SR
*35	GSK-1535-12B	GSK-1535-12U	GSK-1535-12SR
40	GSK-1540-12B	GSK-1540-12U	GSK-1540-12SR
*41	GSK-1541-12B	GSK-1541-12U	GSK-1541-12SR
46	GSK-1546-12B	GSK-1546-12U	GSK-1546-12SR
*47	GSK-1547-12B	GSK-1547-12U	GSK-1547-12SR

14" Bracket

Unit Width	Bookend	Inverted	Seismic Rod
*29	GSK-1729-14B	GSK-1729-14U	GSK-1729-14SR
34	GSK-1734-14B	GSK-1734-14U	GSK-1734-14SR
*35	GSK-1735-14B	GSK-1735-14U	GSK-1735-14SR
40	GSK-1740-14B	GSK-1740-14U	GSK-1740-14SR
*41	GSK-1741-14B	GSK-1741-14U	GSK-1741-14SR
46	GSK-1746-14B	GSK-1746-14U	GSK-1746-14SR
*47	GSK-1747-14B	GSK-1747-14U	GSK-1747-14SR

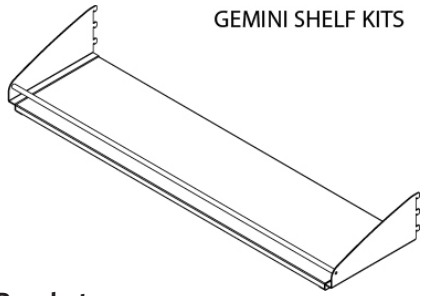
16" Bracket

Unit Width	Bookend	Inverted	Seismic Rod
*29	GSK-1929-16B	GSK-1929-16U	GSK-1929-16SR
34	GSK-1934-16B	GSK-1934-16U	GSK-1934-16SR
*35	GSK-1935-16B	GSK-1935-16U	GSK-1935-16SR
40	GSK-1940-16B	GSK-1940-16U	GSK-1940-16SR
*41	GSK-1941-16B	GSK-1941-16U	GSK-1941-16SR
46	GSK-1946-16B	GSK-1946-16U	GSK-1946-16SR
*47	GSK-1947-16B	GSK-1947-16U	GSK-1947-16SR

18" Bracket

Unit Width	Bookend	Inverted	Seismic Rod
*29	GSK-2129-18B	GSK-2129-18U	GSK-2129-18SR
34	GSK-2134-18B	GSK-2134-18U	GSK-2134-18SR
*35	GSK-2135-18B	GSK-2135-18U	GSK-2135-18SR
40	GSK-2140-18B	GSK-2140-18U	GSK-2140-18SR
*41	GSK-2141-18B	GSK-2141-18U	GSK-2141-18SR
46	GSK-2146-18B	GSK-2146-18U	GSK-2146-18SR
*47	GSK-2147-18B	GSK-2147-18U	GSK-2147-18SR

***5 foot units and larger have split shelving. When ordering use:**
 (2) 29" shelves required for 1 full width shelf on 5 foot bench
 (2) 35" shelves required for 1 full width shelf on 6 foot bench
 (2) 41" shelves required for 1 full width shelf on 7 foot bench
 (2) 47" shelves required for 1 full width shelf on 8 foot bench



Standard Shelf Kits: Shelf kits include 2 brackets and a shelf. Optional seismic rod or shelf lips are available

12"Bracket

Unit Width	Bookend	Inverted	Seismic Rod
*29	GSK-1229-12B	GSK-1229-12U	GSK-1229-12SR
34	GSK-1234-12B	GSK-1234-12U	GSK-1234-12SR
*35	GSK-1235-12B	GSK-1235-12U	GSK-1235-12SR
40	GSK-1240-12B	GSK-1240-12U	GSK-1240-12SR
*41	GSK-1241-12B	GSK-1241-12U	GSK-1241-12SR
46	GSK-1246-12B	GSK-1246-12U	GSK-1246-12SR
*47	GSK-1247-12B	GSK-1247-12U	GSK-1247-12SR

14"Bracket

Unit Width	Bookend	Inverted	Seismic Rod
*29	GSK-1429-14B	GSK-1429-14U	GSK-1429-14SR
34	GSK-1434-14B	GSK-1434-14U	GSK-1434-14SR
*35	GSK-1435-14B	GSK-1435-14U	GSK-1435-14SR
40	GSK-1440-14B	GSK-1440-14U	GSK-1440-14SR
*41	GSK-1441-14B	GSK-1441-14U	GSK-1441-14SR
46	GSK-1446-14B	GSK-1446-14U	GSK-1446-14SR
*47	GSK-1447-14B	GSK-1447-14U	GSK-1447-14SR

16"Bracket

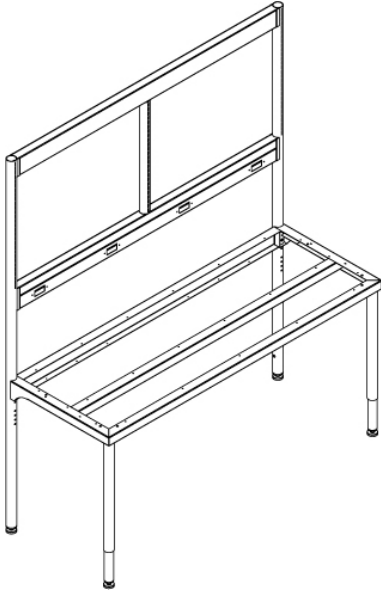
Unit Width	Bookend	Inverted	Seismic Rod
*29	GSK-1629-16B	GSK-1629-16U	GSK-1629-16SR
34	GSK-1634-16B	GSK-1634-16U	GSK-1634-16SR
*35	GSK-1635-16B	GSK-1635-16U	GSK-1635-16SR
40	GSK-1640-16B	GSK-1640-16U	GSK-1640-16SR
*41	GSK-1641-16B	GSK-1641-16U	GSK-1641-16SR
46	GSK-1646-16B	GSK-1646-16U	GSK-1646-16SR
*47	GSK-1647-16B	GSK-1647-16U	GSK-1647-16SR

18"Bracket

Unit Width	Bookend	Inverted	Seismic Rod
*29	GSK-1829-18B	GSK-1829-18U	GSK-1829-18SR
34	GSK-1834-18B	GSK-1834-18U	GSK-1834-18SR
*35	GSK-1835-18B	GSK-1835-18U	GSK-1835-18SR
40	GSK-1840-18B	GSK-1840-18U	GSK-1840-18SR
*41	GSK-1841-18B	GSK-1841-18U	GSK-1841-18SR
46	GSK-1846-18B	GSK-1846-18U	GSK-1846-18SR
*47	GSK-1847-18B	GSK-1847-18U	GSK-1847-18SR

***5 foot units and larger have split shelving. When ordering use:**
 (2) 29" shelves required for 1 full width shelf on 5 foot bench
 (2) 35" shelves required for 1 full width shelf on 6 foot bench
 (2) 41" shelves required for 1 full width shelf on 7 foot bench
 (2) 47" shelves required for 1 full width shelf on 8 foot bench

Shelf Lips: 1" high lips are designed for the front or the back of your shelf unit. The size chart allows you to quickly add the correct number to your order based on your shelf size.

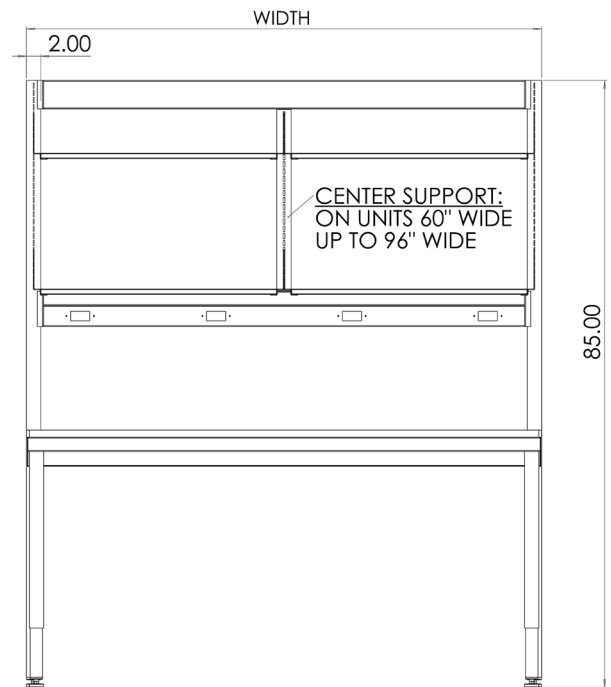
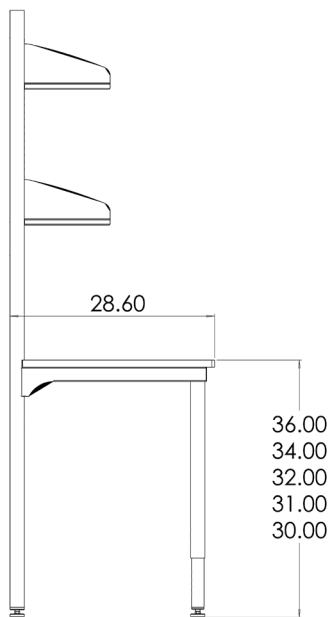


SSB, Solution Series Bench: Single sided units are equipped to accept hanging base cabinets.

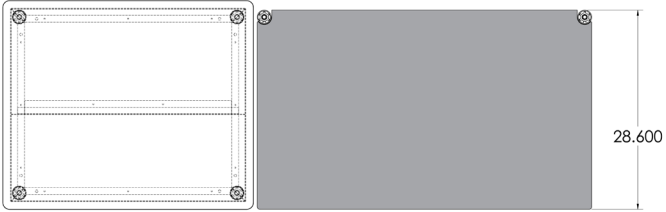
Selection Process: Units can be ordered in a multitude of configurations. You will find “_P_D_E” next to the part numbers. These represent “P” Plumbed services, “D” Data ports, “E” Electrical receipts. Please choose the total amount of each you would like and enter that number into the correct space. For example 0 plumbed, 1 data, 2 electric: SSB-4830-0P1D2E

Note: Maximum units allowed per services 3 Plumbed, 2 Data, Electrical based on width: 36”, 42”, 48” (4 GFI’s) 60”, 72” 84”(5 GFI’s) 96” (6 GFI’s)

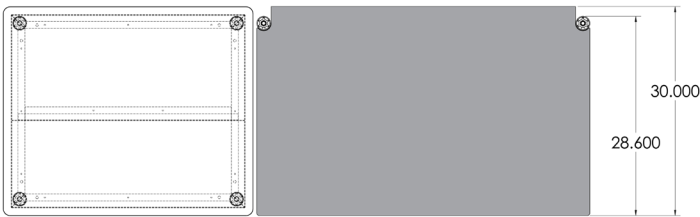
Solution Series Bench	
Unit Width	
36"	SSB-3630-_P_D_E
42"	SSB-4230-_P_D_E
48"	SSB-4830-_P_D_E
60"	SSB-6030-_P_D_E
72"	SSB-7230-_P_D_E
84"	SSB-8430-_P_D_E
96"	SSB-9630-_P_D_E



SSB: Solution Series Bench Single Sided Bench Tops, One Table



SSB - Flush with Rear Post



SSB - with Rear Overhang

**ST Table legs match with these tops.



SSB- with Cabinet Top

**for use when cabinets are adjacent to SSB

	SSB: Single Sided Flush Phenolic Top	SSB: Single Sided Flush Epoxy Top
36"	SSB-TOP3036-P	SSB-TOP3036-E
42"	SSB-TOP3042-P	SSB-TOP3042-E
48"	SSB-TOP3048-P	SSB-TOP3048-E
60"	SSB-TOP3060-P	SSB-TOP3060-E
72"	SSB-TOP3072-P	SSB-TOP3072-E
84"	SSB-TOP3084-P	SSB-TOP3084-E
96"	SSB-TOP3096-P	SSB-TOP3096-E

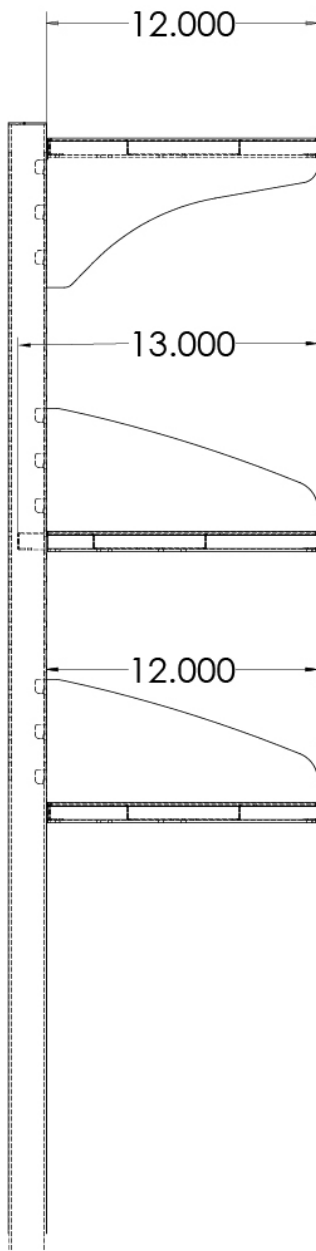
	SSB: Single Sided Overhang Phenolic Top	SSB: Single Sided Overhang Epoxy Top
36"	SSB-TOP3036R-P	SSB-TOP3036R-E
42"	SSB-TOP3042R-P	SSB-TOP3042R-E
48"	SSB-TOP3048R-P	SSB-TOP3048R-E
60"	SSB-TOP3060R-P	SSB-TOP3060R-E
72"	SSB-TOP3072R-P	SSB-TOP3072R-E
84"	SSB-TOP3084R-P	SSB-TOP3084R-E
96"	SSB-TOP3096R-P	SSB-TOP3096R-E

	SSB: Single Sided Cabinet Phenolic Top	SSB: Single Sided Cabinet Epoxy Top
36"	SSB-TOP3036C-P	SSB-TOP3036C-E
42"	SSB-TOP3042C-P	SSB-TOP3042C-E
48"	SSB-TOP3048C-P	SSB-TOP3048C-E
60"	SSB-TOP3060C-P	SSB-TOP3060C-E
72"	SSB-TOP3072C-P	SSB-TOP3072C-E
84"	SSB-TOP3084C-P	SSB-TOP3084C-E
96"	SSB-TOP3096C-P	SSB-TOP3096C-E

SSB, Solution Series Bench:
Shelving options

Shelf kits come in a variety of sizes and shape. The depths vary based on your specific needs and requirements.

The shelf brackets come in multiple configurations. These all have adjustable heights in 1" increments.



Inverted Shelf Bracket

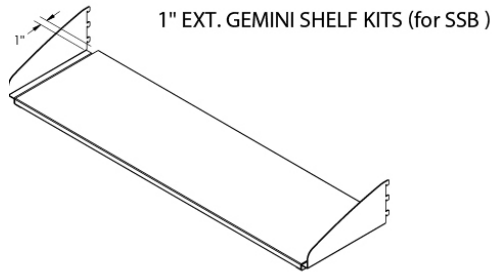
Shelf Depths: 12, 14, 16 inches

Extended Bookend Shelf Bracket

1" EXT Shelf Depths: 13, 15, 17 inches

Bookend Shelf Bracket

Shelf Depths: 12, 14, 16 inches



SSB Shelf Kits: Shelf kits have an extended depth of 1" on the back edge to fit the SSB units.

12"Bracket

Unit Width	Bookend	Inverted	Seismic Rod
*29	GSK-1329-12B	GSK-1329-12U	GSK-1329-12SR
34	GSK-1334-12B	GSK-1334-12U	GSK-1334-12SR
*35	GSK-1335-12B	GSK-1335-12U	GSK-1335-12SR
40	GSK-1340-12B	GSK-1340-12U	GSK-1340-12SR
*41	GSK-1341-12B	GSK-1341-12U	GSK-1341-12SR
46	GSK-1346-12B	GSK-1346-12U	GSK-1346-12SR
*47	GSK-1347-12B	GSK-1347-12U	GSK-1347-12SR

14"Bracket

Unit Width	Bookend	Inverted	Seismic Rod
*29	GSK-1529-14B	GSK-1529-14U	GSK-1529-14SR
34	GSK-1534-14B	GSK-1534-14U	GSK-1534-14SR
*35	GSK-1535-14B	GSK-1535-14U	GSK-1535-14SR
40	GSK-1540-14B	GSK-1540-14U	GSK-1540-14SR
*41	GSK-1541-14B	GSK-1541-14U	GSK-1541-14SR
46	GSK-1546-14B	GSK-1546-14U	GSK-1546-14SR
*47	GSK-1547-14B	GSK-1547-14U	GSK-1547-14SR

16"Bracket

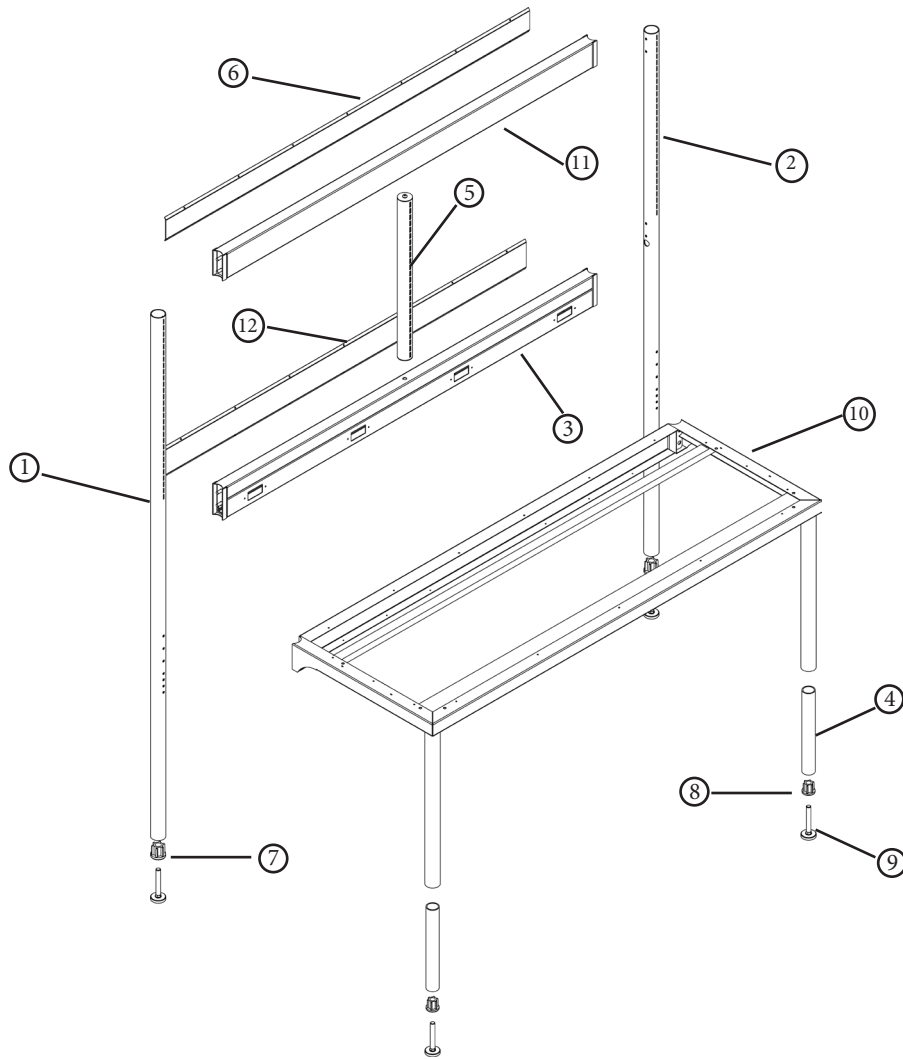
Unit Width	Bookend	Inverted	Seismic Rod
*29	GSK-1729-16B	GSK-1729-16U	GSK-1729-16SR
34	GSK-1734-16B	GSK-1734-16U	GSK-1734-16SR
*35	GSK-1735-16B	GSK-1735-16U	GSK-1735-16SR
40	GSK-1740-16B	GSK-1740-16U	GSK-1740-16SR
*41	GSK-1741-16B	GSK-1741-16U	GSK-1741-16SR
46	GSK-1746-16B	GSK-1746-16U	GSK-1746-16SR
*47	GSK-1747-16B	GSK-1747-16U	GSK-1747-16SR

18"Bracket

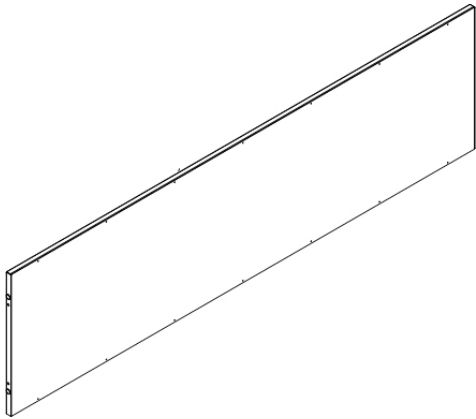
Unit Width	Bookend	Inverted	Seismic Rod
*29	GSK-1929-18B	GSK-1929-18U	GSK-1929-18SR
34	GSK-1934-18B	GSK-1934-18U	GSK-1934-18SR
*35	GSK-1935-18B	GSK-1935-18U	GSK-1935-18SR
40	GSK-1940-18B	GSK-1940-18U	GSK-1940-18SR
*41	GSK-1941-18B	GSK-1941-18U	GSK-1941-18SR
46	GSK-1946-18B	GSK-1946-18U	GSK-1946-18SR
*47	GSK-1947-18B	GSK-1947-18U	GSK-1947-18SR

*** 5 foot units and larger have split shelving. When ordering use:**

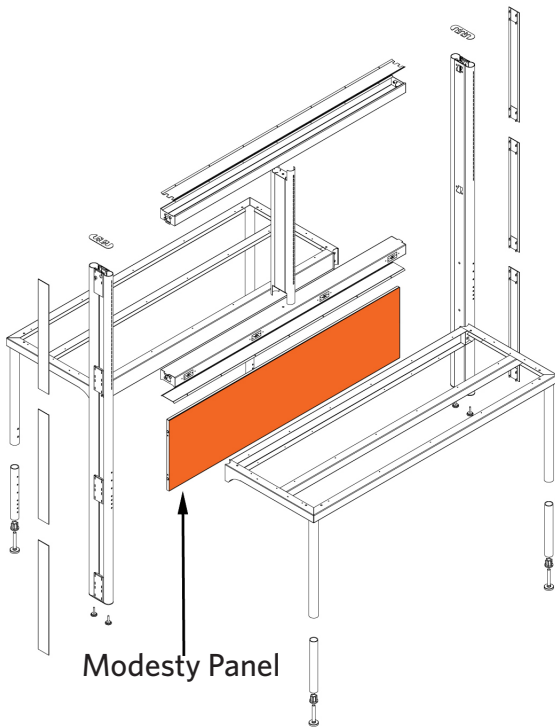
- (2) 29" shelves required for 1 full width shelf on 5 foot bench
- (2) 35" shelves required for 1 full width shelf on 6 foot bench
- (2) 41" shelves required for 1 full width shelf on 7 foot bench
- (2) 47" shelves required for 1 full width shelf on 8 foot bench



Item NO.	Part Number	Description	Quantity
1	SSB-2inTubeNP_83.5-CP	Tube Post left w/lower cord/cable exits	1
2	SSB-2inTubeNP_83.5-DC	Tube Post right	1
3	SB-LR724E	Lower Raceway	1
4	RT17513	Adjustable Lower leg	2
5	SSB-ISW	Intermediate Support	1
6	SSB-URAP-72	Upper Raceway access panel	1
7	58INSERT2RT	Round Tube insert 2"	2
8	58INSERT175RT	Round Tube insert 1.75"	2
9	58GLIDER	Adjustable Foot	4
10	SSB-2972TS	Table Support	1
11	SSB-UR72	Upper Raceway	1
12	SSB-LLRAP-72	Lower Raceway access panel	1



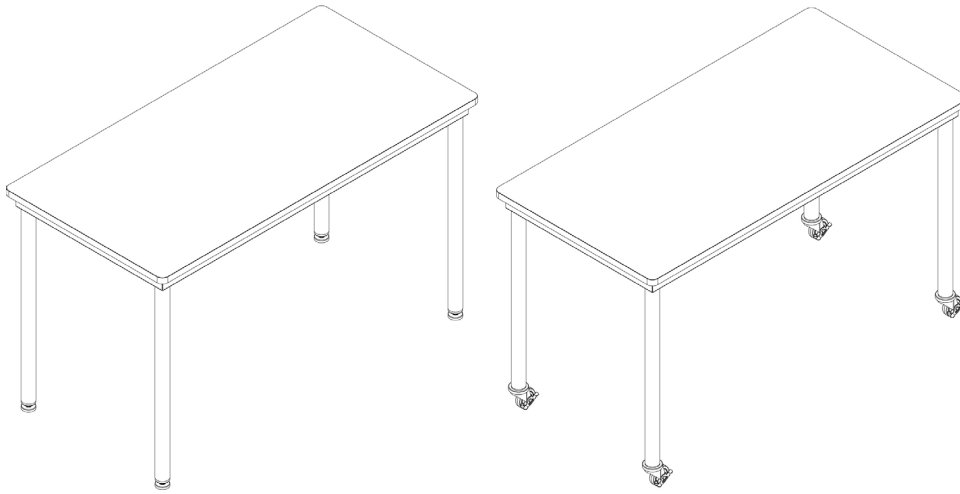
Modesty Panel Accessory: This accessory is for the Gemini only. The Modesty Panel is an item that must be added to the unit upon ordering. Due to the assembly process this cannot be added to the unit at a later time. The modesty panel serves as a divider to separate the front and back sides of the unit. Another benefit is how the panel prevents items from falling off of the work surfaces in between the unit when the double sided work surfaces are set to different heights.



Modesty Panel Accessory

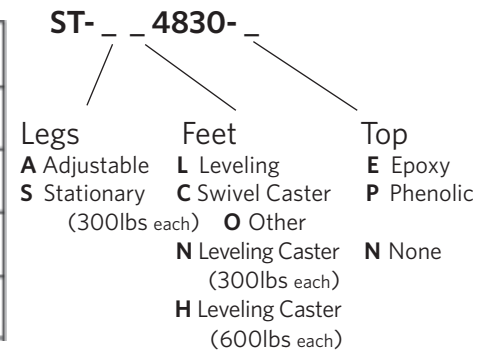
Unit Width	Single Sided Gemini	Double Sided Gemini
36	GS1-3630-MP	GS2-3630-MP
42	GS1-4230-MP	GS2-4230-MP
48	GS1-4830-MP	GS2-4830-MP
60	GS1-6030-MP	GS2-6030-MP
72	GS1-7230-MP	GS2-7230-MP
84	GS1-8430-MP	GS2-8430-MP
96	GS1-9630-MP	GS2-9630-MP

SOLUTION™ SERIES



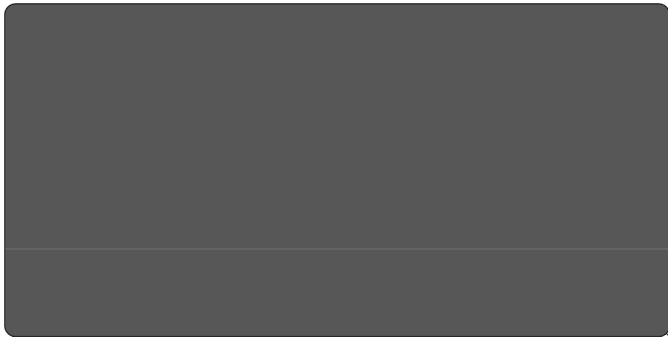
Solution Table: Tables are designed to be adjustable or fixed height. You can select either leveling feet or casters depending on your needs. They come in a multitude of dimensions based on your choosing.

Unit Width	24" Depth	30" Depth	36" Depth
36"	ST-__3624-__	ST-__3630-__	ST-__3636-__
48"	ST-__4824-__	ST-__4830-__	ST-__4836-__
60"	ST-__6024-__	ST-__6030-__	ST-__6036-__
72"	ST-__7224-__	ST-__7230-__	ST-__7236-__



Selection Guide: When choosing your table options, be sure to select the type of table legs and feet you would like.

Example: ST-AC-4824-E (adjustable legs, Casters, & Epoxy top)



R1.000

ST Table Tops are designed with rounded 1" radius corners as a standard.

Solution Table Tops: Table tops are available in epoxy and phenolic. The tops are manufactured to a precision fit and come in a standard 1" thickness.

Epoxy Top

Unit Width	24" Depth	30" Depth	36" Depth
36"	ECT36x30x1	ECT36x30x1	ECT36x36x1
48"	ECT48x24x1	ECT48x30x1	ECT48x36x1
60"	ECT60x24x1	ECT60x30x1	ECT60x36x1
72"	ECT72x24x1	ECT72x24x1	ECT72x36x1

Phenolic Top

Unit Width	24" Depth	30" Depth	36" Depth
36"	PCT36x30x1	PCT36x30x1	PCT36x36x1
48"	PCT48x24x1	PCT48x30x1	PCT48x36x1
60"	PCT60x24x1	PCT60x30x1	PCT60x36x1
72"	PCT72x24x1	PCT72x24x1	PCT72x36x1



6 fÉ0Áf. B0>6 . p |™ŠX™ ÈÈ™/f 0>È fŠ /
0 0 0 |™ŠX™| . È /™^