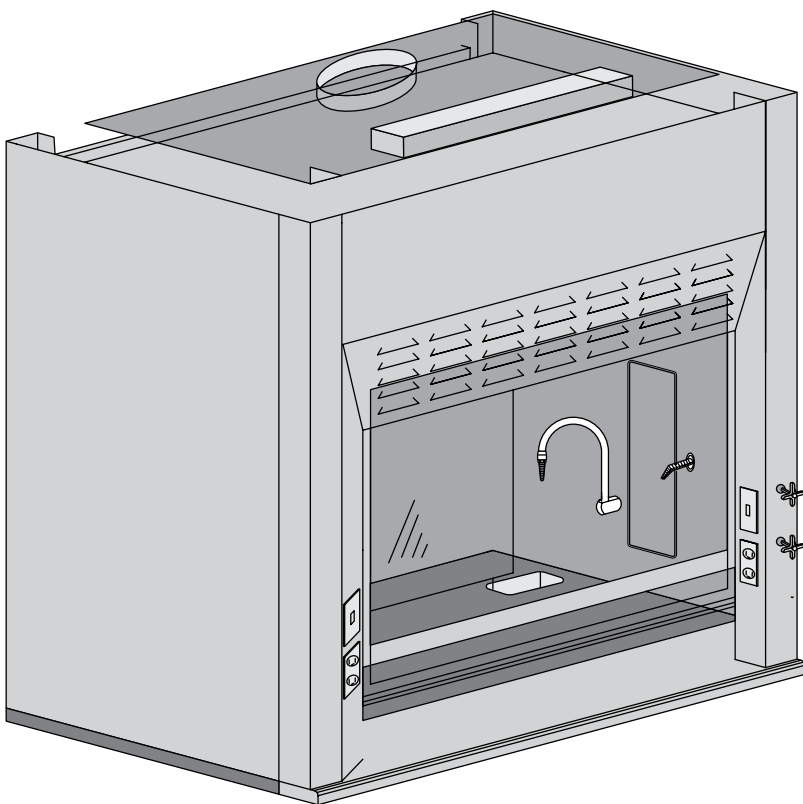


# LABSCAPE // 100 SERIES

## AIRFOIL FUMEHOOD

8



### MINIMIZED TURBULENCE, INCREASED PERFORMANCE.

The LS-100 Series Airfoil Fume Hood features a 45-degree angle around the fascia and a flush-mount radiused airfoil across the bottom, which results in minimized turbulence and increased performance.

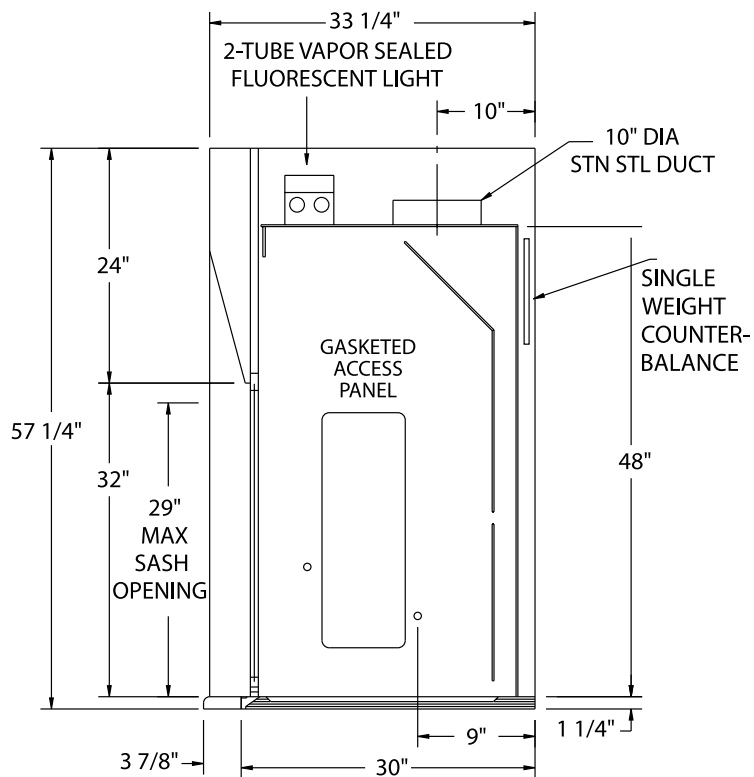
Like the exterior of the hood, the airfoil is made from chemical-resistant, powder-coated, 16-gauge cold rolled steel. Stainless steel is available as an option.

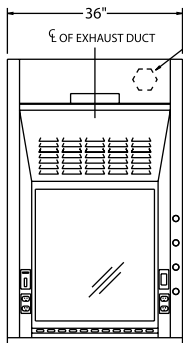
Posts are 5" wide. Five standard sizes offer design flexibility, or we'll customize to your specific needs.

### STANDARD FEATURES

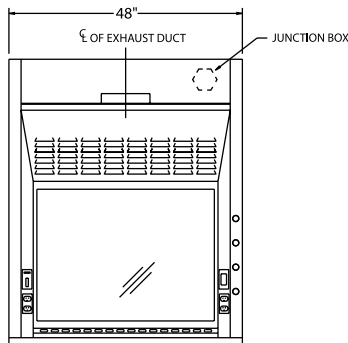
U.L. 1805 CLASSIFIED

- POWDER COAT FINISH
- FULL FRAME CONSTRUCTION
- SHAFT DRIVE SASH
- U.L. LISTED POLY RESIN LINER
- T-8 FLUORESCENT LIGHT WITH BULBS
- FLUSH-MOUNT AIRFOIL
- KNOCK DOWN CAPABILITY
- FULL-LENGTH FINGER LIFT
- LOUVERED FRONT FOR BY-PASS
- 10" ROUND S/S DUCT COLLAR

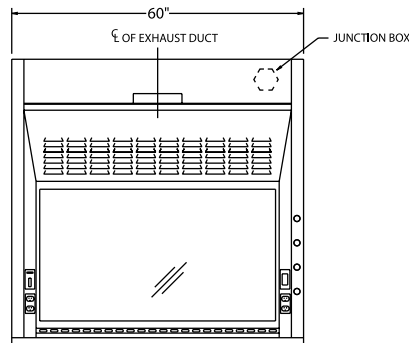




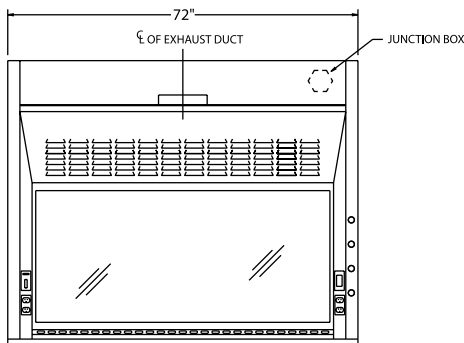
LS-111-36



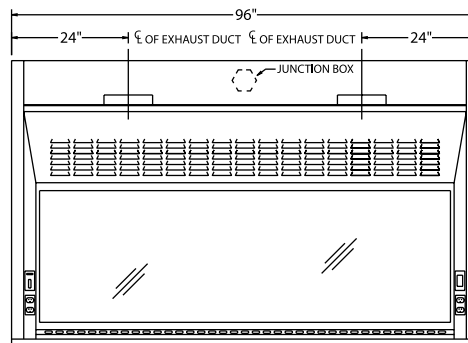
LS-111-48



LS-111-60



LS-111-72



LS-111-96

Part Number	Superstructure			Worktop			Hood Opening		CFM @ 29"*	CFM @ 18"*	SP	Blower Model #	Shipping Weight
	W	H	D	W	H	D	W	H					
LS-111-36	36"	56"	33-1/4"	36"	1-1/4"	30"	26"	29"	567	354	.25	BL-100-36	320
LS-111-48	48"	56"	33-1/4"	48"	1-1/4"	30"	38"	29"	833	521	.25	BL-100-48	385
LS-111-60	60"	56"	33-1/4"	60"	1-1/4"	30"	50"	29"	1100	688	.34	BL-100-60	450
LS-111-72	72"	56"	33-1/4"	72"	1-1/4"	30"	62"	29"	1367	854	.34	BL-100-72	510
LS-111-96	96"	56"	33-1/4"	96"	1-1/4"	30"	86"	29"	1900	1188	.40	BL-100-96	630

\*HEIGHT OF OPEN SASH // CFM CALCULATED AT 100 FPM. FOR VAV HOODS // ADD -VAV TO THE PART NUMBER. ADDITIONAL DEPTHS AVAILABLE. USE SUFFIX -39D FOR 39.25".

OPTIONAL ACCESSORIES

ITEM	PT#	PAGE
Ceiling Enclosures	CE	31
Plumbing Accessories		32
Electrical Accessories		33
Epoxy Tops	ET	37
Alarms	ALARM	
Base Cabinets	BC	34
Blowers	BL	
Pre-Plumbing	PREP	
Pre-Wiring	PREW	

ITEM	PT#	PAGE
Sash Stops	SASHSTOP	36
Chain and Sprocket Drive	CHNSPK	
Stainless Steel Sash	SS SASH	36
Stainless Steel Airfoil	SS AF	
Push Button Sash	PUSH BUTTON	36
Combination Sash	H&V	36
Automatic Sash Return	AUTO RETURN	36
Lattice Assembly	LATTICE	