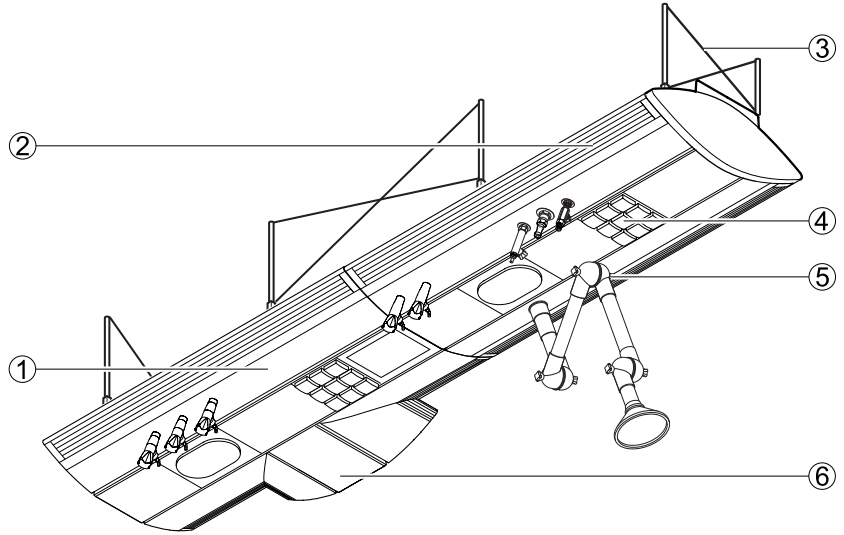


# SERVICE WING

## CEILING SUPPLY SYSTEMS

### DIAGRAM

- 1 Sanitary duct with gas and water fixtures
- 2 Wing edge (lamp or molded part)
- 3 Braced suspension unit
- 4 Trunking with electric terminal box
- 5 Air duct with local extraction system
- 6 T-wing element

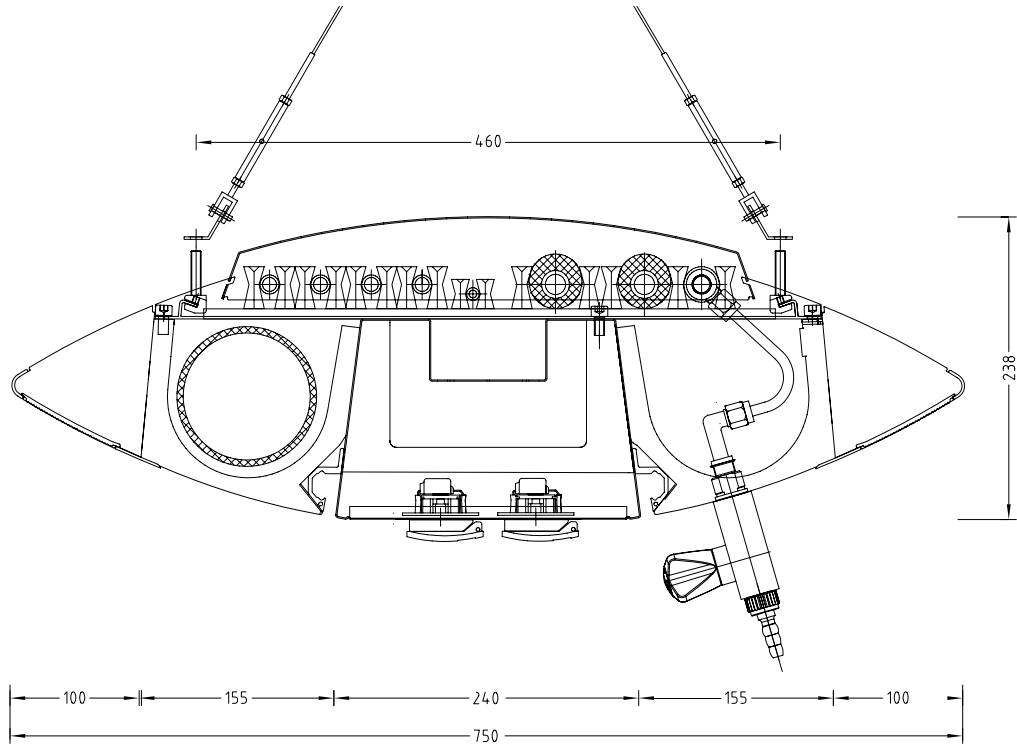


### INTENDED USE

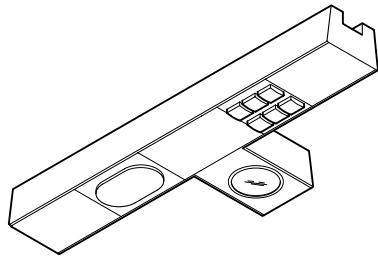
- Laboratory areas with technical devices for services
- Service supply and disposal via the ceiling for:
  - + Laboratory benches and sinks under the service wing
  - + Local exhaust equipment and AeroEm fume hood
  - + Laboratory equipment on mobile table or substructures
  - + Floor-mounted laboratory equipment
- Tool-free installation of supplemental service wing add-on parts



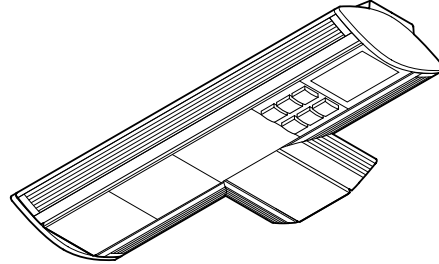
DIMENSIONAL DRAWING



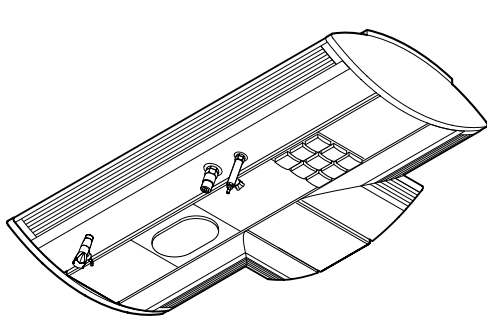
EXPANSION



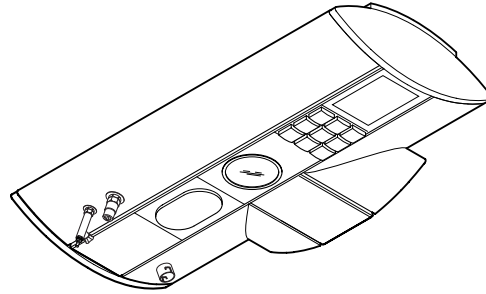
// STAGE 1



// STAGE 2



// STAGE 3



// STAGE 4

