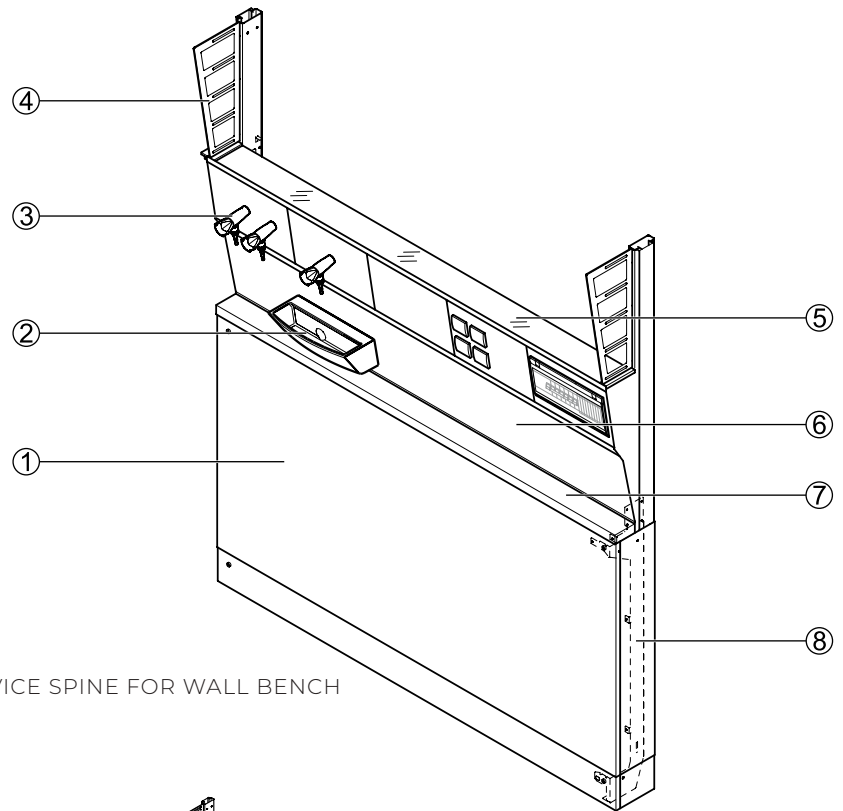


# SERVICE SPINE

## CEILING SUPPLY SYSTEMS

### DIAGRAM

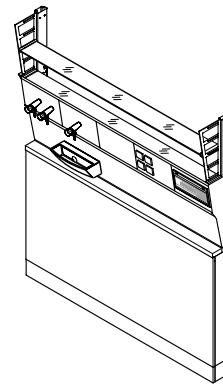
- 1 Knee-hole cover panel
- 2 Sink panel
- 3 Service panel for plumbing
- 4 Pillars for attachment parts
- 5 Service duct with panels, glass shelf and integrated rail for add-on parts
- 6 Service panel
- 7 Cantilever
- 8 Function stands



// SERVICE SPINE FOR WALL BENCH

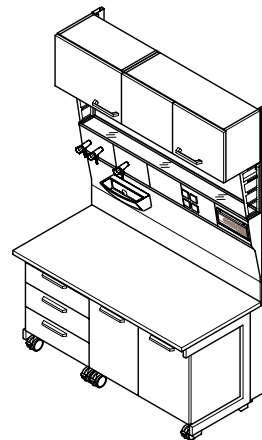
### INTENDED USE

- For floor-mounted services supply to //
  - + Wall benches
  - + Double work benches
  - + Laboratory equipment on mobile table or substructures
  - + Floor-mounted laboratory equipment
- Variants for genetic field
- Modular attachment of cell add-ons at function stands such as reagent shelves, instrument shelves, suspended cabinets, scaffold points, etc.
- Tool-free installation of supplemental service duct add-on parts such as pegboards, monitor arms, pipette holders, paper towel dispensers, universal storage, etc.



// SERVICE SPINE FOR WALL BENCH WITH CANTILEVER

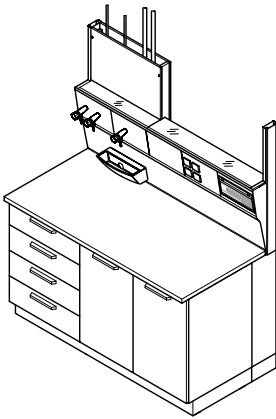
2 glass shelves, working height 35.43" (900 mm)



// SERVICE SPINE FOR WALL BENCH WITH C-FRAME

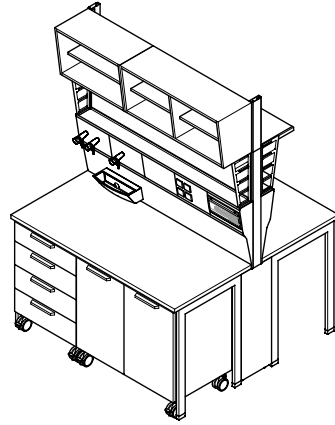
Underbench units on castors and suspended cabinet, working height 29.53" (750 mm)





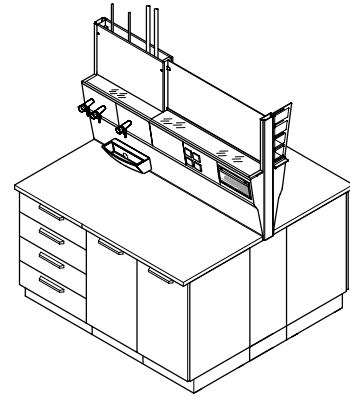
// SERVICE SPINE FOR WALL BENCH WITH UNDERBENCH UNITS

On plinth and service supply from above, working height 35.43" (900 mm)



// SERVICE SPINE FOR DOUBLE WORK BENCH WITH H-FRAME

Underbench units on casters and suspended cabinet, working height 35.43" (900 mm)



// SERVICE SPINE FOR DOUBLE WORK BENCH

Underbench units on plinth and service supply from above, working height 35.43" (900 mm)

DIMENSIONAL DRAWING

// SERVICE SPINE FOR WALL MOUNTED/DOUBLE WORK BENCH

