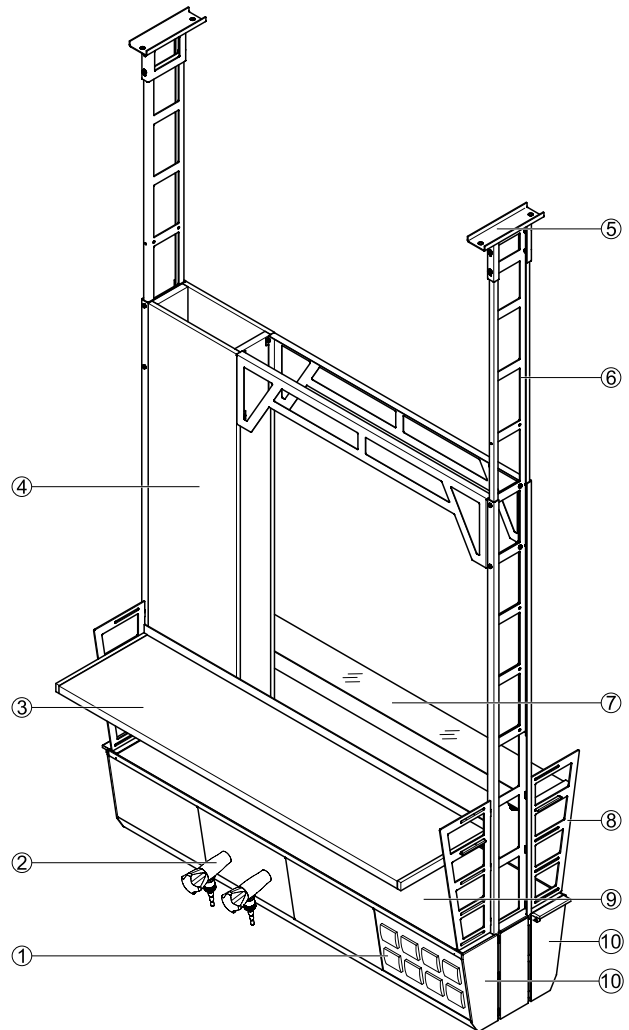


SERVICE BOOM

CEILING SUPPLY SYSTEMS

DIAGRAM

- 1 Service panel with electric installation
- 2 Service panel for plumbing
- 3 Instrument shelf
- 4 Support Duct
- 5 Ceiling anchor
- 6 Function bracket
- 7 Glass shelf
- 8 Pillars
- 9 Service duct covering
- 10 Service duct



INTENDED USE

- Service supply via the ceiling for //
 - + Laboratory benches under the suspended service boom
 - + Laboratory equipment on mobile tables or substructures
 - + Floor-mounted laboratory equipment
- Variants for genetic fields
- Modular attachment of service boom add-on parts on the supporting construction such as reagent repositories, instrument shelves, scaffold points, etc.
- Tool-free installation of supplemental service duct add-on parts such as pegboards, monitor arms, pipette holders, paper towel dispensers, universal storage, etc.